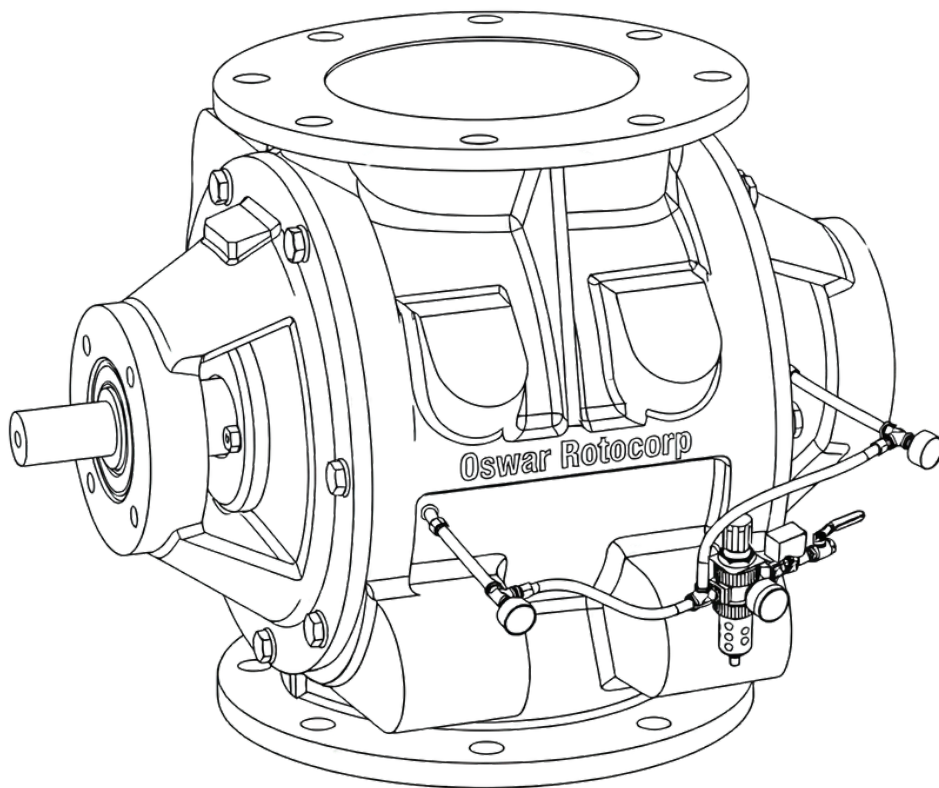



PAINTS & PIGMENTS INDUSTRY

PIGMENT & POWDER HANDLING SYSTEMS



OSWAR
rotocorp

A photograph of an industrial facility, likely a paint or pigment manufacturing plant, during sunset. The sky is a mix of orange, red, and yellow. In the foreground, there are large piles of raw materials, possibly straw or wood chips. The middle ground shows a complex of buildings, pipes, and conveyor belts. Several tall chimneys are visible, with smoke or steam rising from them. The scene is illuminated by the warm light of the setting sun and some artificial lights from the facility.

Paint and pigment manufacturing involves handling fine powders such as titanium dioxide, iron oxides, carbon black, fillers, resins, and specialty additives. Accurate feeding and controlled discharge are essential to maintain color consistency, formulation precision, and product quality.

Oswar Rotocorp provides engineered flow control solutions designed for bulk pigment handling, pneumatic conveying, batching systems, and mixing operations. Our equipment integrates seamlessly into storage silos, pre-mix systems, dispersers, and blending units while ensuring consistent material transfer and airlock efficiency.

KEY PROCESS AREAS

PIGMENT & FILLER
DISCHARGE
SYSTEMS

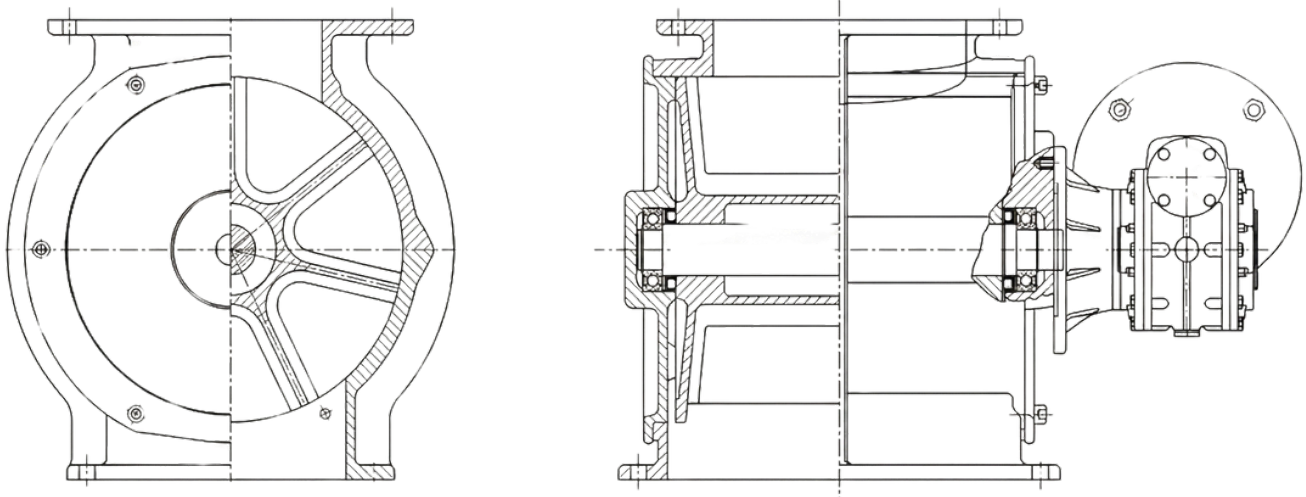
ADDITIVE & RESIN
POWDER FEEDING

PNEUMATIC
CONVEYING OF
FINE POWDERS

BATCHING &
DOSING SYSTEMS

BUILT FOR ACCURACY, SEALING & PROCESS STABILITY

Fine pigment powders require controlled volumetric feeding and efficient airlock performance to prevent material loss and cross-contamination. Equipment must operate reliably in environments where even minor variations can impact final product color and consistency. Rotary Valves are engineered with precision rotor geometry and optimized clearances to ensure uniform discharge and minimal leakage in pneumatic conveying systems. Reinforced construction enhances durability while maintaining controlled feeding accuracy.



SOLUTION PORTFOLIO INCLUDES:

- Precision Rotary Valves for Pigment Handling
- Pneumatic Conveying Rotary Valves
- Controlled Feeding Rotary Valves
- Slide Gate Valves for Process Isolation
- Diverter Valves for Multi-Line Routing

SUPPORTING CONSISTENT COLOR & FORMULATION QUALITY

- **Accurate & Repeatable Material Feeding**
- **Reduced Powder Leakage**
- **Improved Airlock Efficiency**
- **Stable Operation in Continuous Production**
- **Lower Maintenance Requirements**
- **Enhanced Equipment Durability**



OSWAR

rotocorp

Corporate Office

Jaipur, Rajasthan India
Nagpur, Maharashtra India

Sales Inquiries

info@oswarrotocorp.com

Helpline

[+44 7917 128505](tel:+447917128505) | +91 77422 36474

Copyright © 2026 OSWAR ROTOCORP. All Rights Reserved. OSWAR® is a registered trademark of **OSWAR ROTOCORP**. This brochure makes no offers, representations or warranties (express or implied), and information and data contained in this brochure are for general reference only and may change at any time.